

|     |      |     |      |
|-----|------|-----|------|
| A1  | GND  | B12 | GND  |
| A2  |      | B11 |      |
| A3  |      | B10 |      |
| A4  | VBUS | B9  | VBUS |
| A5  | CC1  | B8  | SBU2 |
| A6  | D+   | B7  | D-   |
| A7  | D-   | B6  | D+   |
| A8  | SBU1 | B5  | CC2  |
| A9  | VBUS | B4  | VBUS |
| A10 |      | B3  |      |
| A11 |      | B2  |      |
| A12 | GND  | B1  | GND  |


**MATERIALS**

- HOUSING : LCP (UL 94V-0), BLACK.
- TERMINAL : COPPER ALLOY,  
GOLD PLATED ON CONTACT AREA.  
GOLD FLASH PLATING ON SOLDER TAIL.  
NICKEL UNDERPLATED OVER ALL.
- MID PLATE : STAINLESS STEEL.
- SHELL : STAINLESS STEEL,NICKEL PLATING.

**SPECIFICATION**

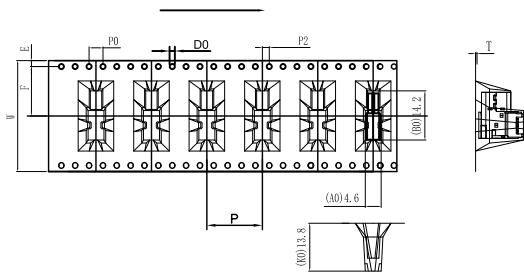
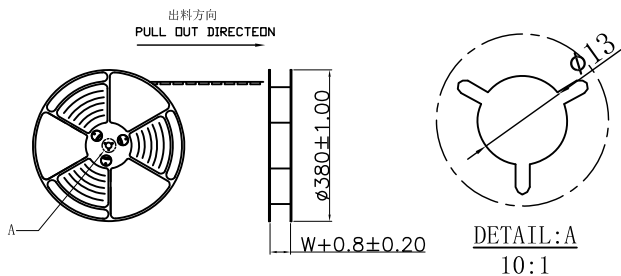
- CURRENT RATING : 5.0A FOR Vbus PIN,  
1.25A FOR Vconn PIN,  
0.25A FOR OTHER PINS.
- CONTACT RESISTANCE : 40mΩ.
- INSULATION RESISTANCE : 100MΩ MIN.
- DIELECTRIC WITHSTANDING VOLTAGE : 100 VAC MIN.
- OPERATING TEMPERATURE : -40°C TO +85°C.
- MATING FORCE : 5~20N.
- UNMATING FORCE : 8~20N.
- DURABILITY : 10,000 CYCLES.
- RECOMMENDED PROCESS :  
THE PEAK TEMPERATURE ON THE BOARD SHALL  
MAINTAIN 260°C.

RECOMMENDED P.C.B LAYOUT  
TOLERANCE ± 0.05mm (TOP VIEW)



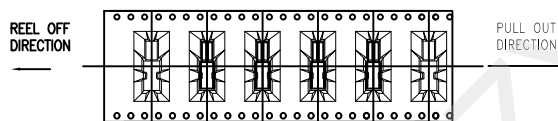
## 深圳市华宇创精密电子有限公司

|  |                    |                      |  |
|--|--------------------|----------------------|--|
| TOLERANCE:<br>X.X ±0.30<br>X.XX ±0.25<br>X.XXX ±0.15<br>X.' ±2' X.X' ±0.5' | DRAWN BY :<br>陈一鸣  | DATE :<br>2014-02-23 | PART NAME:<br>USB TYPE C 母座16P 侧贴SMT CH=7.2 L=14.0mm |
|  | CHECKED BY:<br>马跃  | DATE :<br>2014-02-23 | PART NO.<br>HVC632-USBC16-720                        |
| UNIT: mm [inch]<br>SCALE:1:1 SIZE: A4                                      | APPROVED BY:<br>邱敏 | DATE :<br>2014-02-23 | DRAW NO:<br>HVC-2511191449                           |
|  |                    |                      | SHEET NO.<br>1 OF 1                                  |

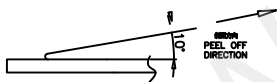


NOTES

1. 带子引导长度  
出料方向

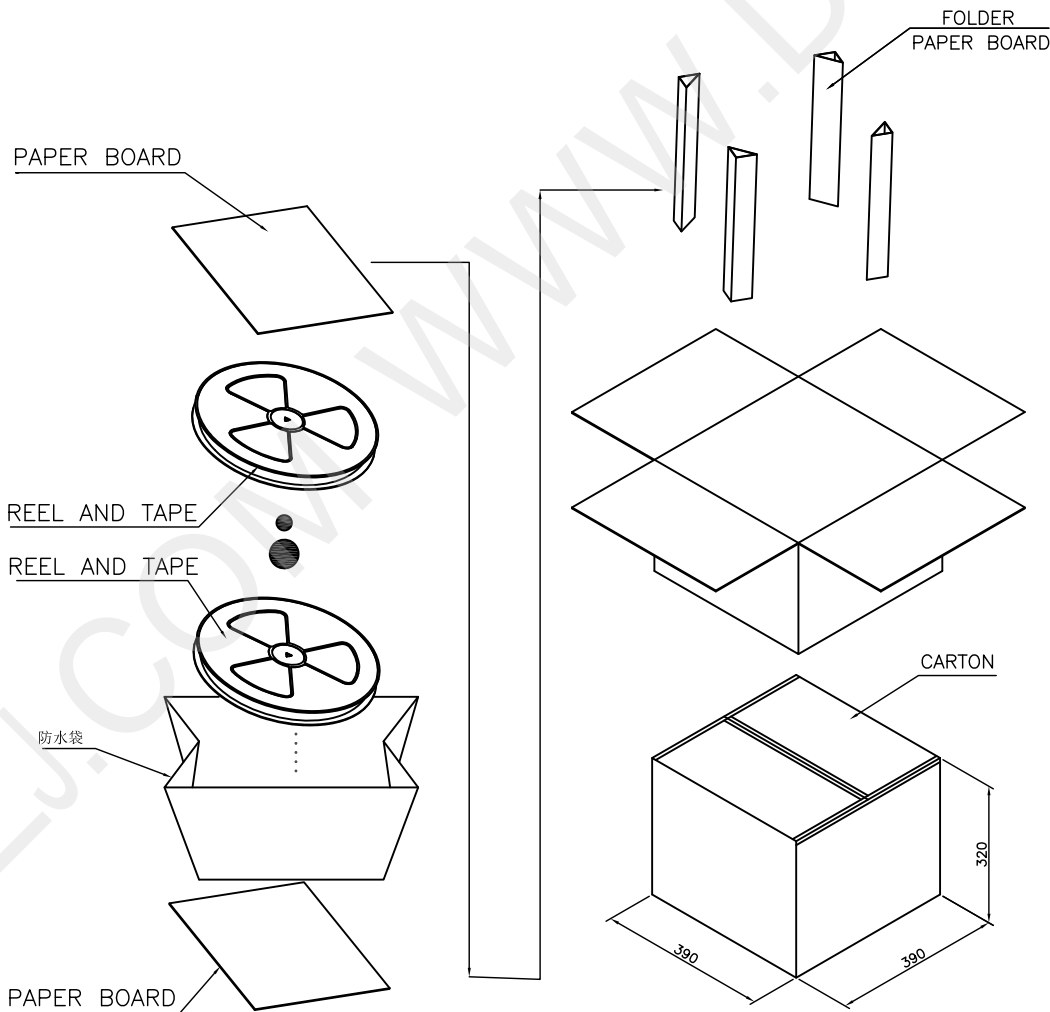


2. 上带剥离力为: 0.1~1.3N(10.2gf~130gf)  
出货运输过程中一定注意:  
卷带在运输过程中不能散开



|    |                                      |
|----|--------------------------------------|
| W  | 32±0.3                               |
| F  | 14.2±0.1                             |
| SO | ±0.1                                 |
| T  | 0.50±0.1                             |
| E  | 1.75±0.1                             |
| P  | 16.0±0.1                             |
| P0 | 4±0.1                                |
| P2 | 2±0.15                               |
| A0 | 4.60±0.1                             |
| B0 | 14.2±0.1                             |
| K0 | 13.8±0.1                             |
| D0 | 1.50 <sup>+0.1</sup> <sub>-0.1</sub> |

|    |                       |                    |
|----|-----------------------|--------------------|
| 卷带 | 规格: Ø380mm            | 包装数量: 400PCS       |
| 纸箱 | 规格: 390mmX390mmX320mm | 包装数量: 8盘 / 3200PCS |



深圳市华宇创精密电子有限公司

|   |                    |                      |                   |        |
|---|--------------------|----------------------|-------------------|--------|
| TOLERANCE:<br>X.X ±0.30<br>X.XX ±0.25<br>X.XXX ±0.15<br>X' ±2' X.X' ±0.5' | DRAWN BY :<br>陈一鸣  | DATE :<br>2014-02-23 | PART NAME:<br>包装图 |        |
|   | CHECKED BY:<br>马跃  | DATE :<br>2014-02-23 | PART NO.          |        |
| UNIT: mm [inch]<br>SCALE:1:1 SIZE: A4                                     | APPROVED BY:<br>邱敏 | DATE :<br>2014-02-23 | DRAW NO:          |        |
|   |                    |                      | SHEET NO.         | 1 OF 1 |